

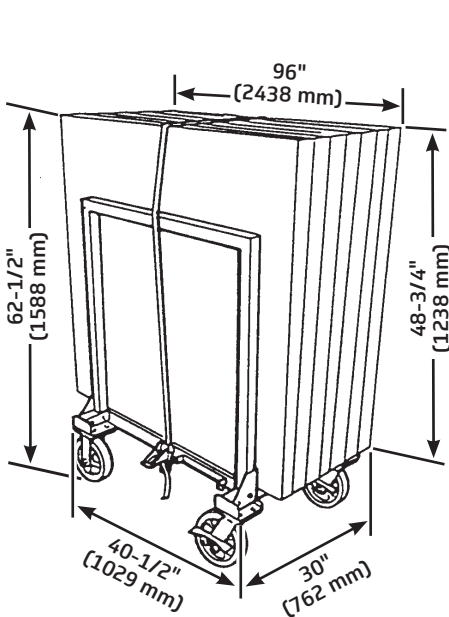
Versalite® Storage Carts

Staging Universal Deck & Rail Cart

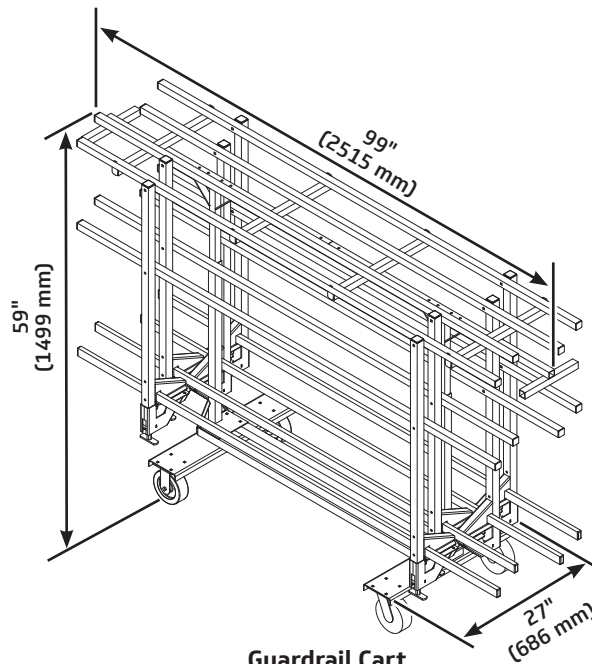
- 113J001 85 lb, (38 kg)
- All steel construction with black powder-coat paint finish
- Dimensions:
Empty: 30"w x 40-1/2"l x 48-3/4"h (762 x 1029 x 1238 mm)
Loaded: 30"w x 96"l x 62-1/2"h (762 x 2438 x 1588 mm)
Folded: 43-1/2"w x 40-1/2"l x 18-1/2"h (1105 x 1029 x 470 mm)
- 8" (203 mm) diameter casters, two swivel and two rigid
- Stage unit is simply rotated off the cart and into position
- Cart conveniently folds when empty for easy storage
- Fits through standard 36" (914 mm) doorway
- Ideal for non-rectangular units such as pie shapes used in seated risers or oversized units used in the portable disability ramp
- This eight unit cart is also used for the Wenger pit filler, but the capacity is reduced to six units
- Five-year warranty

Guardrail Cart

- 011D800 91 lb (41 kg)
- Dimensions (loaded or unloaded):
27"w x 99"l x 59"h (686 x 2515 x 1499 mm)
- Ideal for space efficient storage of guardrails
- Five-year warranty



**Staging Universal
Deck & Rail Cart**



Guardrail Cart

